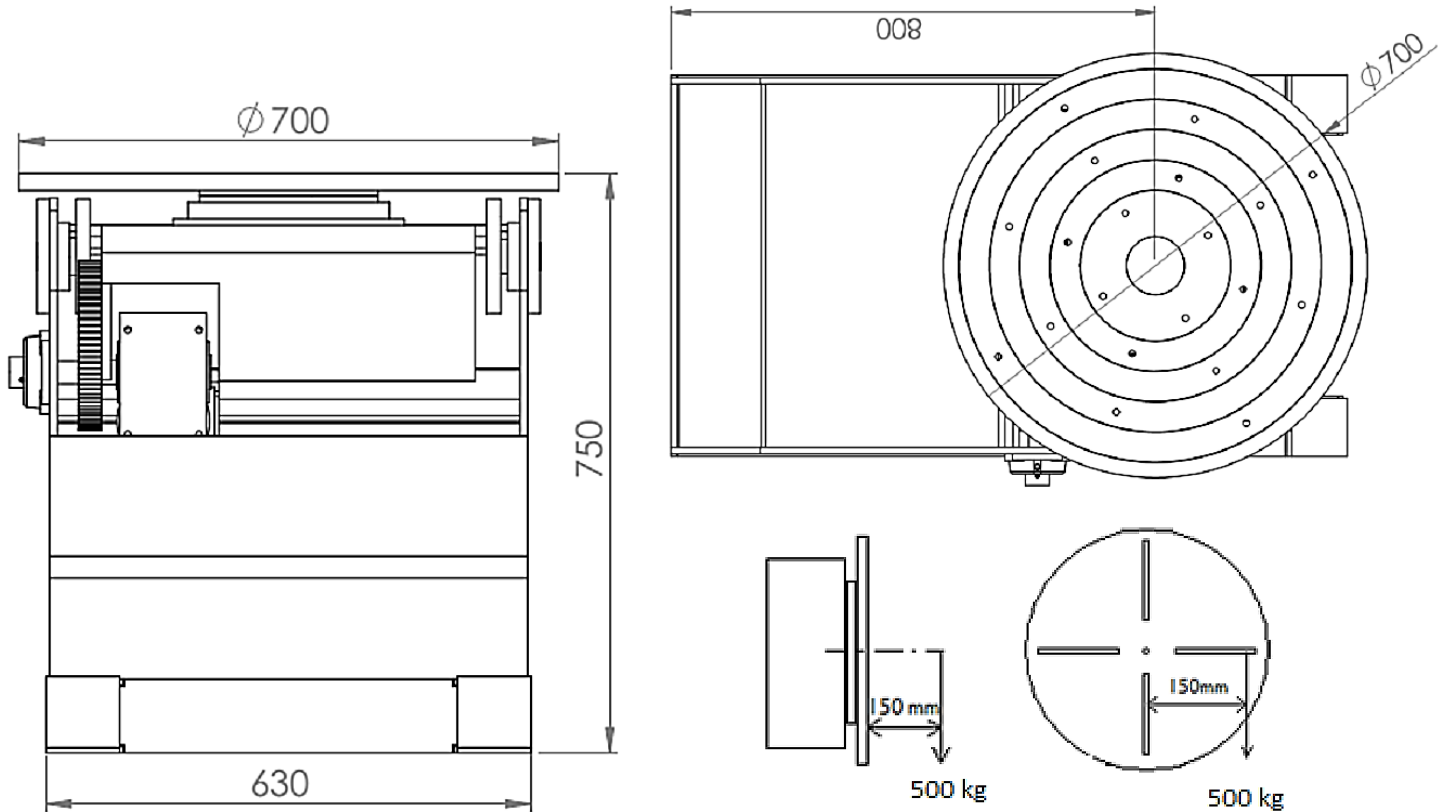




Westermans International Ltd
together we weld the world...

Technical Specifications – WPOZ0500



Max. Load (N)	5000
Axis Eccentricity	150mm for Rotation and Tilting
Rotation Speed (rpm/min)	Min 0,2 – Max 2 @ 5 Hz – 50 Hz Range
Rotation Torque (kg.m)	75
Rotation Motor	1 x 0,37 Kw AC Motor
Tilting Angle	120°
Tilting Speed from 0 to 120	45 second
Tilting Torque (kg.m)	125
Tilting Motor	1 x 0,37 Kw AC Motor
Driver	Yaskawa 0,75 Kw / 0,55 Kw
Face Plate Diameter	700 mm
Fixing Slots	M12 Holes
Control Device	Hand Pendant
Incoming Supply	380V/400V, 3Ph, 50Hz @ 5 – 50 Hz
Applicable Optional	Foot Pedal
Colour	RAL6025 - GREEN Texture Painting
Welding Torch Holder	Yes
Shipping Dimension & Weight	Width 1000mm x Length 1500mm x Height 1100mm / 450 Kg

Westermans International Ltd
Unit 4, Midland Distribution Centre, Markfield Road, Groby, Leicester LE6 0FS UK
welding@westermans.com www.westermans.com +44(0) 1162 696941